

# VACPAN Installation Instructions

(Please read instructions prior to installation.)

## INSTALLATION TIPS

- Plan the location of your VACPAN to be conveniently located for sweeping clean-ups. Also consider ease of access of vacuum tube piping connections during installation.
- The leading edge of the VACPAN must sit flush with the finished floor.
- For maximum clearance, use a Universal Short 90° Elbow for connection to VACPAN.
- Do not glue the connection between VACPAN and elbow, to allow for future removal.
- Prior to final installation, check for an airtight seal between VACPAN and elbow. Teflon tape may be used if required.
- Allow for 1/2" vertical play in vacuum tube piping at VACPAN location, so that final piping connections can be made.

## UNDER CABINET INSTALLATIONS

- VACPAN requires a minimum 2-1/4" toe kick height.
- Once the VACPAN location is determined, cut a 6-3/4" long x 1-3/4" high slot in the cabinet toe kick to accept the VACPAN.
- Run vacuum tube piping and low voltage wire from the main piping line to the VACPAN location.
- Access for final piping connections must be made.

### **Access From Below**

If access is available from below, cut an access hole through the subfloor underneath the cabinet, positioned so that final piping connections can be made by reaching through the access hole.

### **Access Through Cabinet Floor**

Access can be made through the finished cabinet floor. Cut a 2-3/4" x 3-1/2" access hole, positioned so that final piping connections can be made by reaching through the access hole.

A Cover Plate can be used to cover the hole after installation.

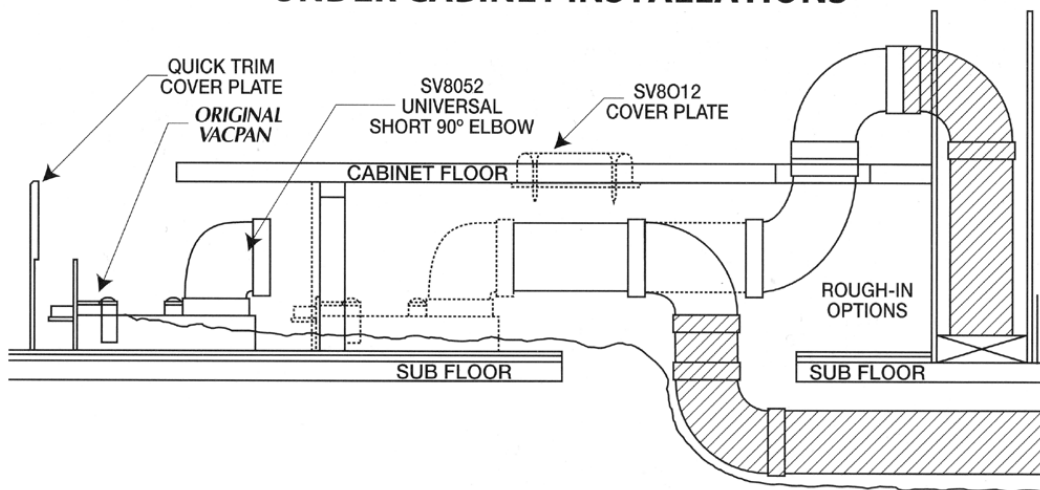
### **Through Cabinet Toe Kick**

Access can be made through the cabinet toe kick by cutting up to a 10-1/2" x 4" slot and using the VACPAN Quick Trim Cover Plate (sold separately).

If required, score back of Quick Trim Cover Plate with a knife and snap along grooves for height adjustment.

- Attach low voltage wires to VACPAN terminal connections marked "low voltage only".
- Slide VACPAN into mounting slot and secure to toe kick using two #6 screws provided.
- Reach through access hole and make final piping connections.

## UNDER CABINET INSTALLATIONS



## IN WALL INSTALLATIONS

- VACPAN can be installed between wall studs inside walls.
- VACPAN should be located tight to one side in stud space.
- Once the VACPAN location is determined, cut a 6-3/4" long x 1-3/4" high slot in the wall and baseboard to accept the VACPAN.
- The 2x4 wall bottom plate between the two studs must be removed. This can be achieved from below using a hole saw. In new home construction, the bottom wall plate can be removed directly. A 6-3/4" length of 2x4 can be used as a temporary rough in block that will force all trades to finish around, leaving a slot for the VACPAN. Floor contractor must run flooring under block.
- Run vacuum tube piping and low voltage wire from the main line to VACPAN location.
- Access for final piping connections must be made.

### **Access From Below**

If access is available from below, cut an access hole through the subfloor underneath the wall between the studs, positioned so that final piping connections can be made by reaching through the access hole.

### **Access Through Wall**

Access can be made through the finished wall. Cut a 2-3/4" x 3-1/2" access hole, positioned so that final piping connections can be made by reaching through the access hole.

A Cover Plate can be used to cover the hole after installation.

- Attach low voltage wires to VACPAN terminal connections marked "low voltage only".
- Slide VACPAN into mounting slot and secure to wall using two #6 screws provided.
- Reach through access hole and make final fitting connections.

## IN WALL INSTALLATIONS

